

HG-TQJD Damper Torque Hinge

With one-way adjustable torque · Free stop · Soft close

Features

- Torque hinge with damper
- Torque adjustment feature enables lids and doors to stop at any position during opening or closing
- Torque is generated in one direction, almost no reverse torque is generated, allowing for smooth operation
- Lid stop not required (see below for further details)
- Passed 20,000 cycle test

Notes

- Operating temperature: 0°C-40°C.
- Please check the handling precautions
- Please check actual product before use and carry out prototyping and verification
- When multiple units are used, the torque values must be the same
- Temporary fixing parts are provided to prevent the hinges from opening and closing during transport, remove during product installation
- Do not force operation of the lid

Parts Included

- Screw cover (elastomer)



Black



White

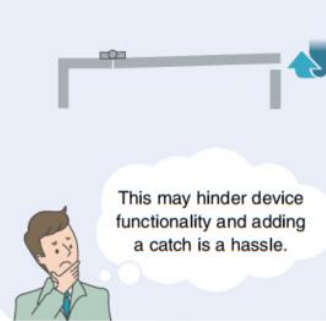


With screw covers removed

Gas springs open to the highest position only.



Common torque hinges may result in a slightly ajar lid.



Opening the lid beyond 90° requires the installation of a lid stop.



Damper Torque Hinge Solution!

Free stop

Can be stopped at any angle.



- Facilitates easy closure and hands-free lid retention.

✓ Easy to open with one-way torque function.



Firmly closes.



- No separate catch required.

✓ Slow, safe closure with adjustable speed.

Soft motion



Lid opens wide without falling backward.



- Reduced labour and components.

✓ Opens slowly after 90°.*

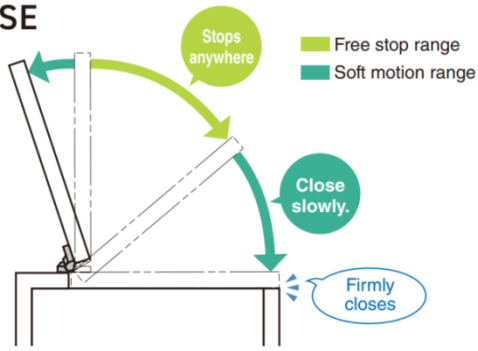
Soft motion



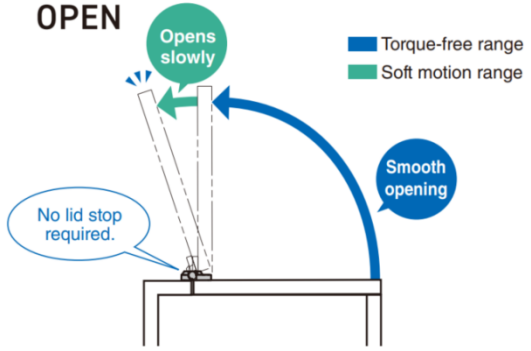
*From 80° with inside-mounted hinge.

Opening and Closing Operation

CLOSE

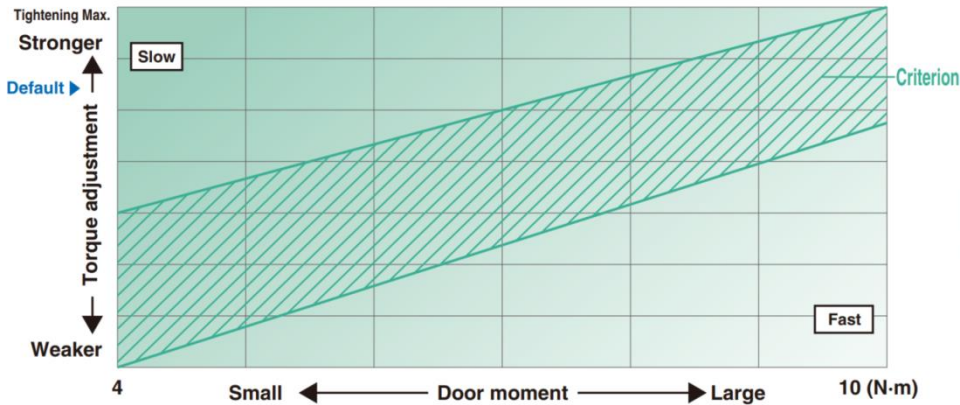


OPEN



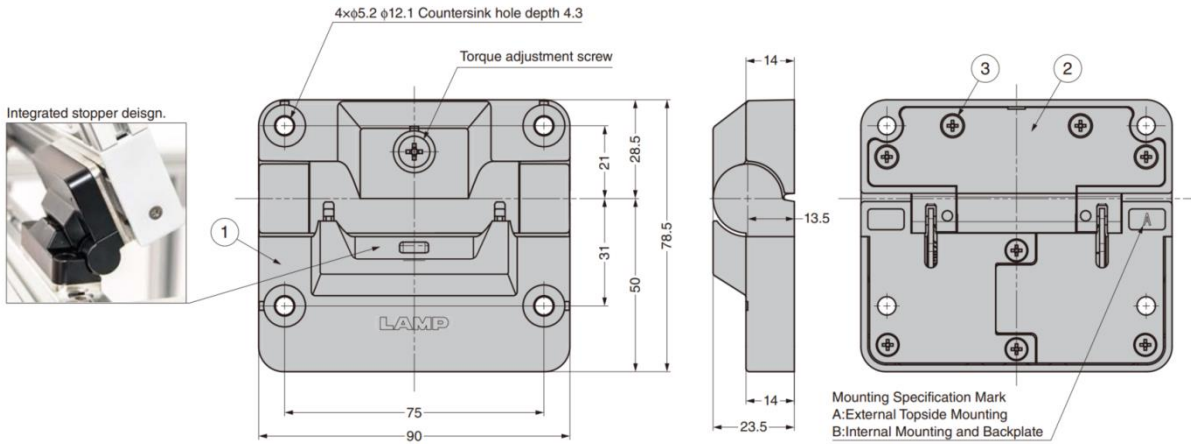
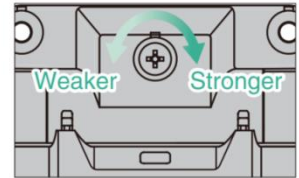
Soft-close Adjustment Guidelines

For 2 damper torque hinges



The speed at closing can be adjusted to your preference by turning the torque adjustment screw.

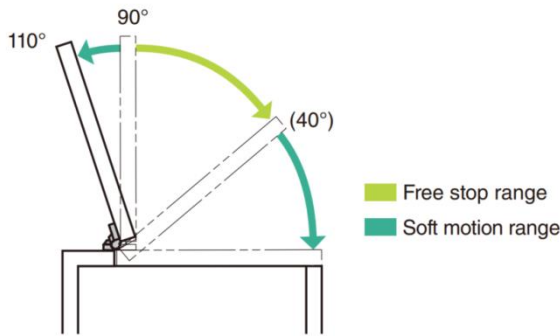
Torque Adjustment Function



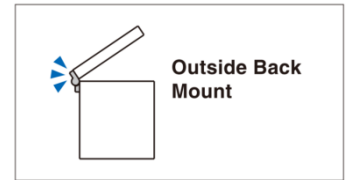
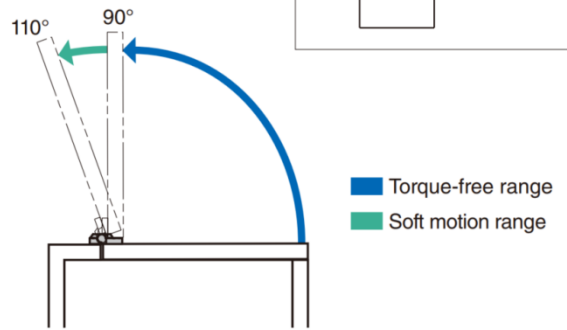
No.	Part Name	Material	Finish/Colour
①	Body	Zinc alloy (ZDC)	Paint/Black,White
②	Undercover	ABS	Black,White
③	Cross-recessed flat head screws M3x8	Steel(SWCH)	Black Chromate (Trivalent)

HG-TQJD50-A with External Topside Mounting

Closing Range



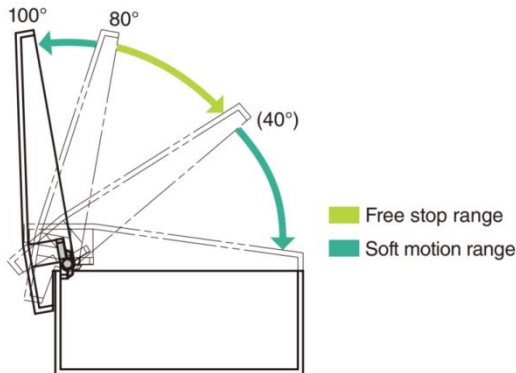
Opening Range



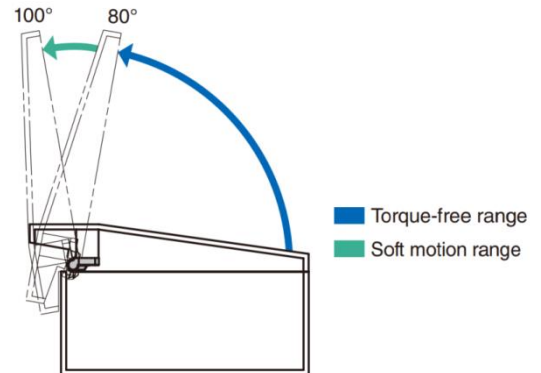
Part No.	Colour	Opening Angle	Max Moment (per piece)	
HG-TQJD50-A-WT	White	110°	2.0 ~ 5.0 N.m	20.4 ~ 50.9 kgf.cm
HG-TQJD50-A-BL	Black			

HG-TQJD50-B with Internal Mounting and Backplate

Closing Range



Opening Range



Part No.	Colour	Opening Angle	Max Moment (per piece)	
HG-TQJD50-B-WT	White	100°	2.0 ~ 5.0 N.m	20.4 ~ 50.9 kgf.cm
HG-TQJD50-B-BL	Black			